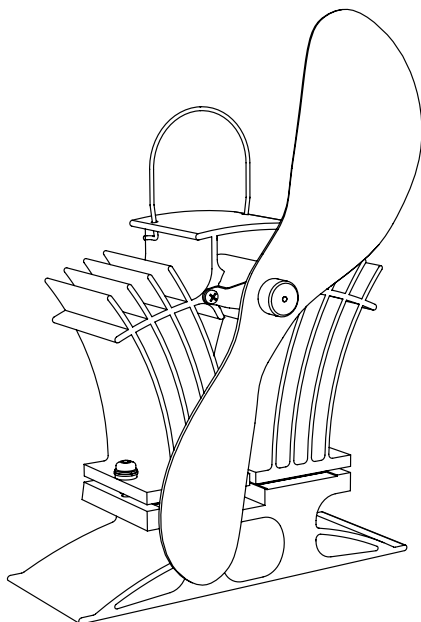




Ecofan™ BelAir

HEAT POWERED STOVE FAN
VENTILATEUR DE POÊLE FONCTIONNANT À LA CHALEUR
VENTILADOR DE ESTUFA DE ACCIONAMIENTO TÉRMICO

OPERATING INSTRUCTIONS INSTRUCTIONS DE FONCTIONNEMENT INSTRUCCIONES DE OPERACIÓN



MODEL 806CA

CE 806CA-BBX gold/or/oro
806CA-KBX nickel/nickel/níquel
806CA-XBX black/ noir/ negro

Caframo Limited

501273 Grey Road 1, Georgian Bluffs ON Canada, N0H 2T0
Toll Free: 1-800-567-3556 | Phone: 519-534-1080 | Fax: 519-534-1088
www.caframo.com

Ecofan™ BelAir Operating Instructions

Important: The information in this manual contains safe operating instructions and warranty information. Read this information carefully to learn how to operate and maintain your Ecofan™ BelAir properly and to avoid injury or product damage.

Proper Usage

The Ecofan™ BelAir is designed for use on freestanding stoves with surface temperatures between 167°F to 392°F (75°C to 200°C). **Do not use** the Ecofan™ BelAir on a wood stove with surface temperatures above 392°F (200°C) as this may damage the unit and void the warranty.

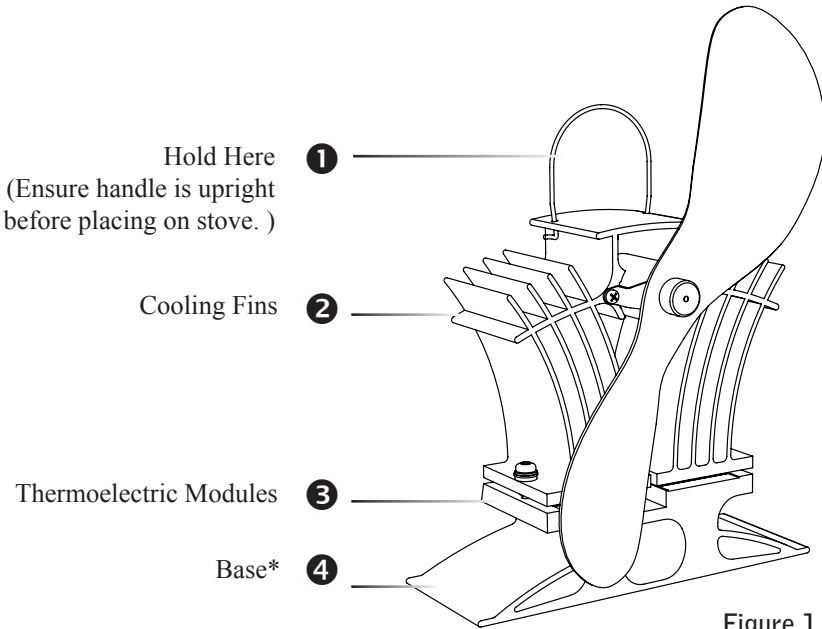


Figure 1

***DANGER:** When in use, the base is hot! DO NOT TOUCH!

Handling the Ecofan™ Safely

The base of the Ecofan™ BelAir will get hot when used. Hold the unit firmly by the handle at all times as shown in Figure 1. Do not touch the base of the Ecofan™ BelAir. Never set the Ecofan™ BelAir down on an unprotected surface as the hot base could potentially damage that surface.

Children

Accidents can occur if children are not properly supervised around your stove or Ecofan™ BelAir. Children should be kept away from the stove and never allowed to handle the Ecofan™ BelAir. Never assume that children will remain where you last saw them. Always use caution and supervise children around the stove.

Placement on the Stove Top

To get maximum performance from the Ecofan™ BelAir it is important to place it correctly on the stove top. There are two main factors to consider when positioning the Ecofan™ BelAir on a stove:

1. Finding the hottest part of the stove surface up to 392° F/200°C.
2. Ensuring that cool air can be drawn from behind the Ecofan™ BelAir over the top, cooling fins.

The easiest method to find the hottest part of the stove top when using the Ecofan™ BelAir for the first time, is to simply place it on various parts on the top and then observe how fast the fan spins. It will turn the fastest on the hottest part. This is the recommended method for stoves without a grate on the stove top. We have found the following positions to work best on most stoves that include a grate on the stove top:

Figure 2) For stoves that have a full grate, position your Ecofan™ BelAir to the back corner making sure that hot air is not forced behind fan.

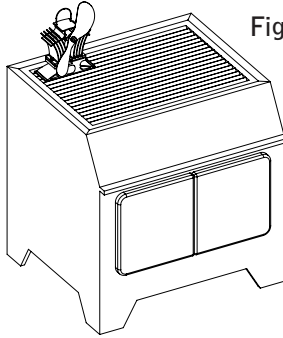


Figure 2

Figure 3) For stoves that have only a grate near the front, position your Ecofan™ BelAir at the back of the grate, away from the chimney pipe.

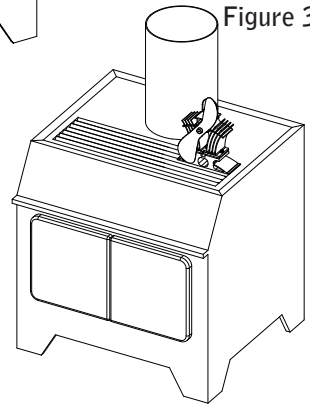


Figure 3

Please Note:

Internal Blower: The Ecofan™ BelAir efficiency may be affected by running your stove's internal blower system. The Ecofan™ BelAir operates from the heat off the stove's surface. In some cases the internal blower will reduce the stove top temperature enough to affect the Ecofan™ BelAir performance. This may cause the Ecofan™ BelAir to slow down while the internal blower is on.

Limited Warranty/ Garantie limitée/ Garantía limitada

www.caframo.com/warranty

This product has a 2 year limited warranty.
Ce produit a une garantie limitée de 2 ans.
Este producto tiene una garantía limitada de 2 años.

Limited Warranty

The product you have purchased has been guaranteed by the manufacturer for the warranty period stated starting on the date of purchase against defects in workmanship and/or materials. This guarantee does not apply if the damage occurs because of accident, improper handling or operation, shipping damage, abuse, misuse, or unauthorized repairs made or attempted. Only parts that prove to be defective during the period of guarantee will be replaced without charge. Should repair become necessary, call the Customer Service Department at 1-800-567-3556 to obtain a return authorization code and mailing instructions. *Note: Products returned from outside Canada must be shipped via regular mail due to customs regulations. Shipments via courier services cannot be accepted.*